



Maximum Performance



UA332-520

FEATURES AND BENEFITS

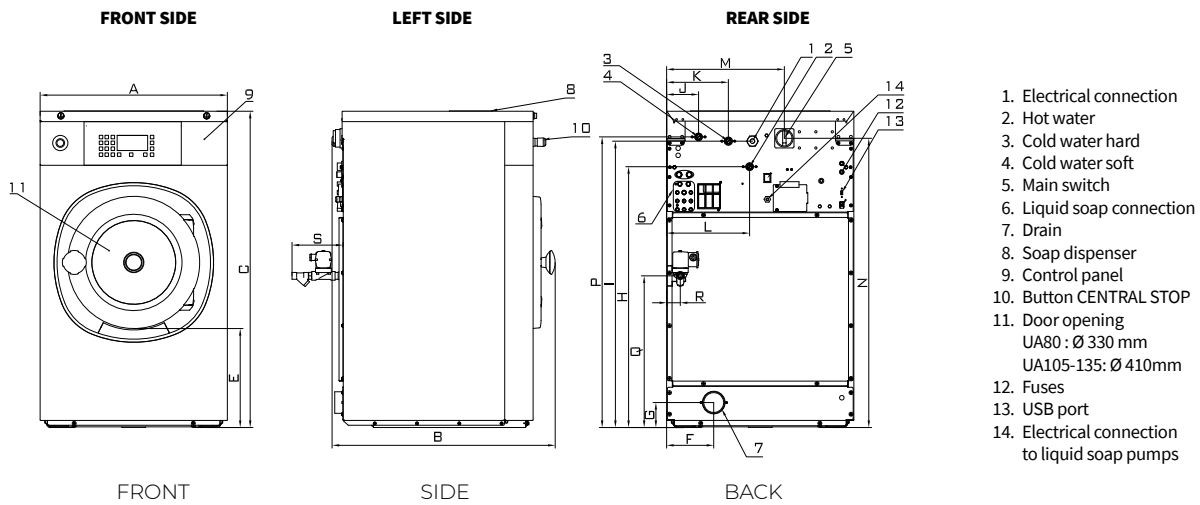
- Rigid mounted, normal spin, 100G factor
- Stainless steel top and front panel, black side panels
- Stainless steel drum and tub
- PROform – fully programmable microprocessor
- Patented soap hopper
- High capacity water inlets
- Large drain valves (2 x Ø 76 mm)
- Easy access to all vital parts from the front
- Large door opening for easy loading & unloading

OPTIONS

- USB plug (on the back panel)
- Liquid soap connection
- Steam heating version
- Liquid soap pumps
- Water recovery kit
- Steam heating version
- 3rd water inlet

HIGH EFFICIENT HARDMOUNT INDUSTRIAL WASHER EXTRACTORS

TYPE		UA332	UA520
INNERDRUM			
Capacity (1:10)	kg	35	52
Volume	l	332	520
Diameter	mm	914	914
DRUM SPEED			
Wash	rpm	38	38
Extraction	rpm	540	440
G-Factor	G	150	100
HEATING			
Electricity (standard)	kW	27	40,6
Steam	bar	1-8	1-8
Hot water	°C	90	90
Sound pressure level	dB (A)	<65	<65
Water valves connection	inch	3/4"	3/4"
Water pressure	kPa	100-800	100-800
Rec. water pressure	kPa	300-500	300-500
Water inlet	l/min	66-188	183-518
Drain valve	outer Ø mm	2 x 76	2 x 76
Flow amount with drain valve	l/min	2 x 210	2 x 210
Steam valve connection	inch	3/4"	3/4"
Steam pressure	kPa	100-800	100-800
TRANSPORT DATA			
Gross weight	kg	450	570
Net weight	kg	410	520
Packed HxWxD	mm	1625 x 1088 x 1060	1625 x 1088 x 1345



TYPE	A	B	C	D	E	F	G	H	I	J	K	L	M	N	O	P	Q	S	T
UA 332	1060	1030	1500	936	465	318	120	1326	1366	113	248	383	671	1349	1413	528	66	145	482
UA 520	1060	1315	1500	1221	465	318	120	1414	1374	88	223	363	671	1349	1332	528	66	145	482
	width	depth	height																

TO LEARN MORE, OR TO FIND A DISTRIBUTOR IN YOUR AREA, VISIT UNIMAC.COM
ALLIANCE LAUNDRY SYSTEMS - SHEPARD ST, RIPON WI 54971 - +1 800 587 5458

Consult your UniMac® distributor for details. For the most accurate information, the installation guide should be used for all design and construction purposes. Due to continuous product improvements, design and specifications subject to change without notice. The quality management systems at Alliance Laundry Systems® Ripon facility has been registered to ISO 9001:2008.

©2020 Alliance Laundry Systems LLC.

UniMac® by Alliance Laundry Systems