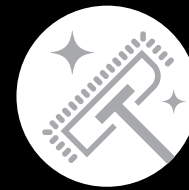




Maximum Performance



MOP Range



TESTED AND CERTIFIED
BY EXPERTS FOR
DISINFECTION AT 40°C¹

UY65, UY80, UY105, UY135

STANDARD CONFIGURATION

- Freestanding, high spin (up to 1165 rpm - UY65,UY80)
- 400G extraction speed
- Special drum holes: optimal dirt & moisture removal
- Stainless steel top and anthracite front and side panel
- Stainless steel drum and tub
- PROform – fully programmable microprocessor
- Patented soap hopper
- Large drain valve (Ø 76 mm)
- Liquid soap connection
- Easy access to all vital parts from the front
- Large door opening for easy loading & unloading
- USB+RS485 plug
- Liquid soap pumps for connection of up to 8 pumps
- 3rd water inlet

DIRT COLLECTOR & BASE FRAMES

- Avoiding drain issues following blockage
- Separate dirt collector:
 - Easy to install next or behind the machine
 - Easy visual check: easy maintenance
 - Available in size of 65 - 135L volume
 - To be used with a 200mm-base frame to achieve optimal results
- Integrated “SDC”-dirt collector:
 - Same footprint as the machine
 - Stainless steel construction, 323mm height



MOP-PROGRAMMES DEVELOPED BY FM-EXPERTS

- Special mop programmes:
 - 20 standard pre-set programmes
 - 9 new mop-specific programmes
 - Pre-impregnation for all types of cleaning textiles
 - Chemothermal & thermal disinfection
- Mop-programmes tested & validated by WfK-Institute

Number of mops per load*	UY65 MOP	UY80 MOP	UY105 MOP	UY135 MOP
Mops 100g**	59	68	95	122
Mops 180g**	33	38	53	68
Mops 200g**	29	34	47	61
Mops 230g**	25	29	41	53
Microfiber cloths 16g	366	422	591	759
Microfiber cloths 22g	266	307	430	552
Microfiber cloths 25g	234	270	378	486

* Figures are indicative. Contact your UniMac partner to get accurate information about your requirements.

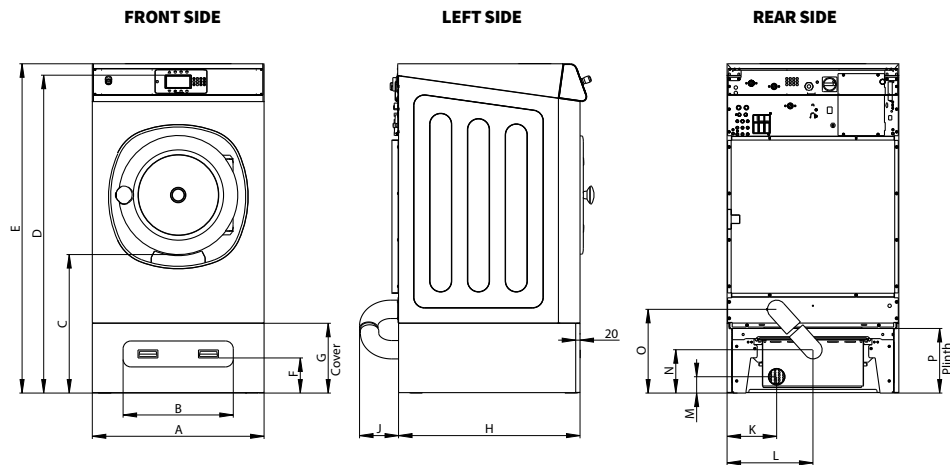
** Dimensions of mops 50cm x 12cm

¹99,9999 % reduction of Escherichia coli K12 NCTC 10538, Staphylococcus aureus ATCC 6538, Salmonella enterica ATCC 13076, Candida albicans ATCC 10231, Aspergillus brasiliensis ATCC 16404 in the mop washing program „Mop washing program for main wash temperature 40° C“ with „Eltra 40 extra“ laundry detergent and a load size of 7.5 kg - investigation MB 1880/19 dated April 16, 2020 conducted by wfk-Institut für Angewandte Forschung GmbH commissioned by Alliance Laundry CE s.r.o..

HIGH EFFICIENT SOFT-MOUNTED WASHER-EXTRACTORS

TYPE		UY65	UY80	UY105	UY135
INNERDRUM					
Capacity (1:10)	kg/lb	6.5/14	7.5/20	10.5/25	13.5/30
Volume	l	65	75	105	135
Diameter	mm	530	530	620	620
DRUM SPEED					
Wash	rpm	49	49	49	49
Extraction	rpm	1165	1165	1075	1075
G-Factor		400	400	400	400
HEATING					
Electricity (standard)	kW	3/4.6/6/9	3/4.6/6/9	3/4.6/6/9/12	4.6/9/12
Steam	bar	1-8	1-8	1-8	1-8
Hot water	°C	90	90	90	90
Sound pressure level	dB (A)	<65	<65	<65	<65
Water valves connection	inch	3/4"	3/4"	3/4"	3/4"
Water pressure	kPa	100-800	100-800	100-800	100-800
Rec. water pressure	kPa	300-500	300-500	300-500	300-500
Water inlet	l/min	20	20	20	20
Drain valve	outer Ø mm	76	76	76	76
Flow amount with drain valve	l/min	210	210	210	210
Steam valve connection	inch	1/2"	1/2"	1/2"	1/2"
Steam pressure	kPa	100-800	100-800	100-800	100-800
DIMENSIONS*					
Washer (HxWxD)	mm	1115x710x740	1115x710x790	1225x795x795	1225x795x945
Fluff collector (HxWxD)	mm	214x321x740	214x321x740	214x480x825	214x480x825
Base frame (HxWxD)	mm	200x730x610	200x730x660	200x815x660	200x815x780
TRANSPORT DATA*					
Washer gross/net	kg	180/170	200/185	235/210	275/255
Fluff collector gross/net	kg	9/8	9/8	13/12	13/12
Base frame gross/net	kg	30/29	31/30	33/32	38/37
Washer HxWxD packed	mm	1245x750x840	1245x750x840	1345x835x840	1345x835x985
Fluff collector and base frame are packed into a foil					

* without dirt collector



TYPE	A	B	C	D	E	F	G	H	I	J	K	L	M	N	O	P
UY 65	710	416	650	1358	1414	162	323	642	-	258	230	355	76	200	388	299
UY 80	710	416	650	1358	1414	162	323	692	-	209	230	355	76	200	388	299
UY 105	795	510	642	1468	1524	162	323	692	-	289	230	398	76	200	388	299
UY 135	795	510	642	1468	1524	162	323	840	-	180	230	398	76	200	408	300

TO LEARN MORE, OR TO FIND A DISTRIBUTOR IN YOUR AREA, VISIT UNIMAC.COM
ALLIANCE LAUNDRY SYSTEMS - SHEPARD ST, RIPON WI 54971 - +1 800 587 5458

Consult your UniMac® distributor for details. For the most accurate information, the installation guide should be used for all design and construction purposes. Due to continuous product improvements, design and specifications subject to change without notice. The quality management systems at Alliance Laundry Systems® Ripon facility has been registered to ISO 9001:2008.

©2020 Alliance Laundry Systems LLC.

UniMac by Alliance Laundry Systems