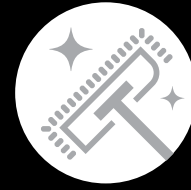




Maximum Performance



MOP Range



TESTED AND CERTIFIED BY EXPERTS FOR DISINFECTION AT 40°C¹

UY180, UY240, UY280

STANDARD CONFIGURATION

- Freestanding, high spin
- 400G extraction speed
- Special drum holes: optimal dirt & moisture removal
- Stainless steel top and anthracite front and side panel
- Stainless steel drum and tub
- PROform – fully programmable microprocessor
- Patented soap hopper
- Large drain valve (Ø 76 mm)
- Liquid soap connection
- Easy access to all vital parts from the front
- Large door opening for easy loading & unloading
- USB+RS485 plug
- Liquid soap pumps for connection of up to 8 pumps
- 3rd water inlet

DIRT COLLECTOR & BASE FRAMES

- Avoiding drain issues following blockage
- Separate dirt collector:
 - Easy to install next or behind the machine
 - Easy visual check: easy maintenance
 - Available in size of 180-280L volume
 - To be used with a 200mm-base frame to achieve optimal results
- Integrated “SDC”-dirt collector:
 - Same footprint as the machine
 - Stainless steel construction, 323mm height



MOP-PROGRAMMES DEVELOPED BY FM-EXPERTS

- Special mop programmes:
 - 20 standard pre-set programmes
 - 9 new mop-specific programmes
 - Pre-impregnation for all types of cleaning textiles
 - Chemothermal & thermal disinfection
- Mop-programmes tested & validated by Wfk-Institute

Number of mops per load*	UY180 MOP	UY240 MOP	UY280 MOP
Mops 100g**	162	216	252
Mops 180g**	90	120	140
Mops 200g**	81	108	126
Mops 230g**	70	94	110
Microfiber cloths 16g	1013	1350	1575
Microfiber cloths 22g	736	982	1145
Microfiber cloths 25g	648	864	1008

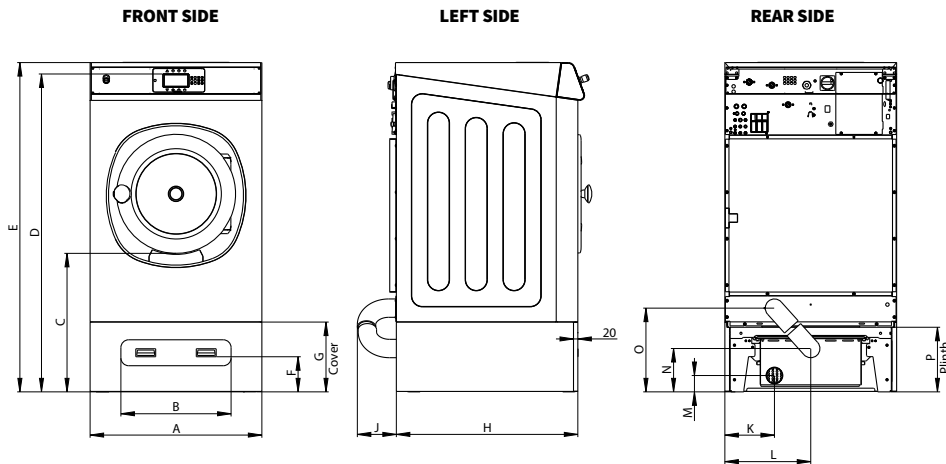
* Figures are indicative. Contact your UniMac partner to get accurate information about your requirements.

** Dimensions of mops 50cm x 12cm

¹99,9999% reduction of Escherichia coli K12 NCTC 10538, Staphylococcus aureus ATCC 6538, Salmonella enterica ATCC 13076, Candida albicans ATCC 10231, Aspergillus brasiliensis ATCC 16404 in the mop washing program „Mop washing program for main wash temperature 40° C“ with „Eltra 40 extra“ laundry detergent and a load size of 7.5 kg - investigation MB 1880/19 dated April 16, 2020 conducted by wfk-Institut für Angewandte Forschung GmbH commissioned by Alliance Laundry CE s.r.o..

HIGH EFFICIENT SOFT-MOUNTED WASHER EXTRACTORS

TYPE		UY180	UY240	UY280
INNERDRUM				
Capacity (1:10)	kg/lb	18/40	24/55	28/65
Volume	l	180	240	280
Diameter	mm	750	750	750
DRUM SPEED				
Wash	rpm	42	42	42
Extraction	rpm	980	980	915
G-Factor		400	400	350
HEATING				
Electricity (standard)	kW	12/18	18	21.9
Steam	bar	1-8	1-8	1-8
Hot water	°C	90	90	90
Sound pressure level	dB (A)	<65	<65	<65
Water valves connection	inch	3/4"	3/4"	3/4"
Water pressure	kPa	100-800	100-800	100-800
Rec. water pressure	kPa	300-500	300-500	300-500
Water inlet	l/min	20	20	20-50
Drain valve	outer Ø mm	76	76	76
Flow amount with drain valve	l/min	210	210	210
Steam valve connection	inch	1/2"	1/2"	1/2"
Steam pressure	kPa	100-800	100-800	100-800
DIMENSIONS				
HxWxD	mm	1410x970x970	1410x970x1105	1410x970x1185
TRANSPORT DATA				
Gross weight	kg	395	450	515
Net weight	kg	380	430	495
Packed HxWxD	mm	1550x1025x1015	1550x1025x1150	1550x1025x1225



TYPE	A	B	C	D	E	F	G	H	I	J	K	L	M	N	O	P
UY 180	970	640	777	1654	1710	162	323	869	-	275	270	485	76	200	408	300
UY 240	970	640	777	1654	1710	162	323	1004	-	180	270	485	76	200	408	300
UY 280	970	640	777	1654	1710	162	323	1079	-	180	270	485	76	200	408	300

TO LEARN MORE, OR TO FIND A DISTRIBUTOR IN YOUR AREA, VISIT UNIMAC.COM
ALLIANCE LAUNDRY SYSTEMS - SHEPARD ST, RIPON WI 54971 - +1 800 587 5458

Consult your UniMac® distributor for details. For the most accurate information, the installation guide should be used for all design and construction purposes. Due to continuous product improvements, design and specifications subject to change without notice. The quality management systems at Alliance Laundry Systems' Ripon facility has been registered to ISO 9001:2008.

©2020 Alliance Laundry Systems LLC.

UniMac® by Alliance Laundry Systems