



Maximum Performance



## ASFV30, ASFV33, ASFV35

### FEATURES AND BENEFITS

- The best solution for bed sheets, duvets, tablecloths and large sheets
- High speed folder with single lane sheets making 2 lateral folds combined with 3 cross folds and stacking by a drop stacker
- It saves labor for higher productivity and folding quality
- First and second length folds are executed by air knife
- First cross fold by knife. Second and third cross folds by knives and belt reverse conveyor.
- Moveable delivery table for small items by-pass cross folding
- Standard max. length on multi-lane is 1 200 mm
- Automatic speed synchronisation from 7 to 50 m/min
- Safety according to CE-regulations
- Heavy duty steel construction: main frame with long lifespan due to rust protection by powder coating
- Stacker can be positioned on right or left, to fit laundry you path
- PLC-Control
  - 5,7" touch screen with relevant parameters programmable
  - Up to 100 custom made programs
  - Easy data back-up by means of compact flash
  - Easy to learn for operator, with all key functions explained by text on the screen

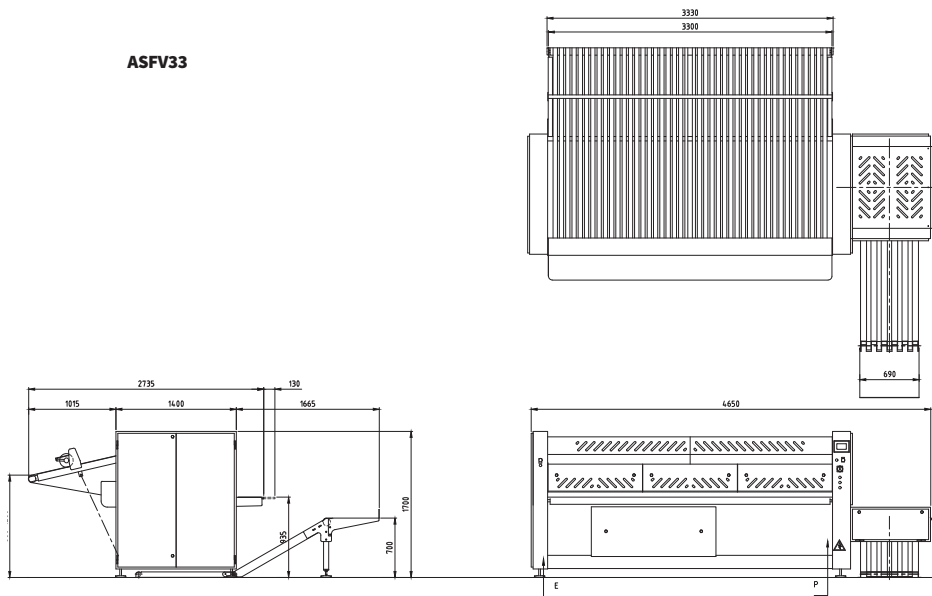
### OPTIONS

- Multiple lanes execution for small pieces
- Anti-static bar system for better folding synthetic fabric sheets
- Mechanical by-pass on first and second length: folding for small pieces (quick pass-through)

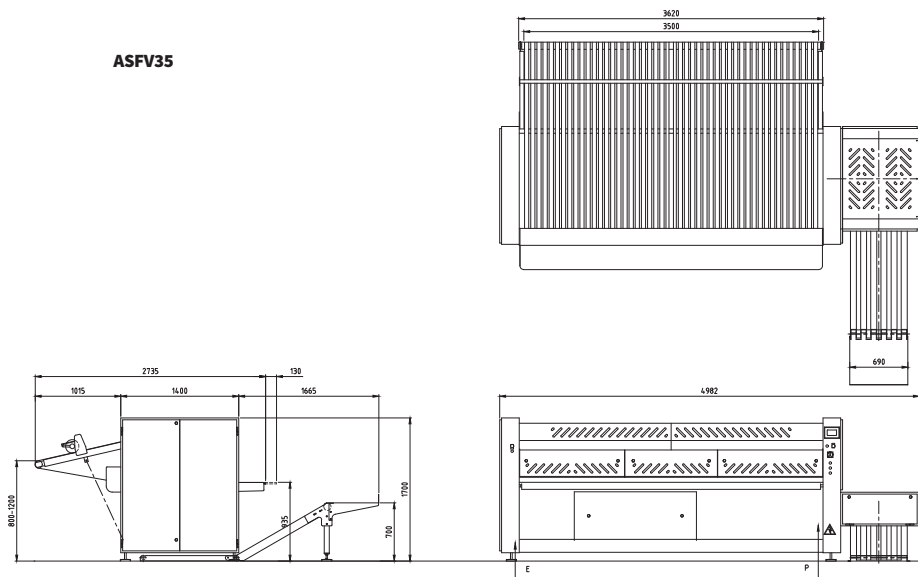
**SHEET FOLDERS WITH DROP STACKER**

TYPE		ASFV30	ASFV33	ASFV35
Working width, max	mm	3000	3300	3500
Dimensions WxDxH	mm	4700x4100x1800	4700x4100x1800	4900x4100x1800
Net weight	kg	1700	1700	2000
Shipping dimensions WxDxH	mm	4700x1900x2200	4700x1900x2200	4900x1900x2200
Gross weight	kg	1750	1750	2050
<b>CONNECTION</b>				
Main power		3x400V 50/60Hz	3x400V 50/60Hz	3x400V 50/60Hz
Electric	kW (A)	4,5 (11)	4,5 (11)	4,5 (11)
Compressed air	DN (inch)	15 (½")	15 (½")	15 (½")
Air pressure	bar	6	6	6
<b>CONSUMPTION</b>				
Compressed air	NL/min	250	250	250
Import Note: Please inform order desk the position of stack at right or left (see from ironer side)				

**ASFV33**



**ASFV35**



**TO LEARN MORE, OR TO FIND A DISTRIBUTOR IN YOUR AREA, VISIT UNIMAC.COM  
ALLIANCE LAUNDRY SYSTEMS - SHEPARD ST, RIPON WI 54971 - +1 800 587 5458**

Consult your UniMac® distributor for details. For the most accurate information, the installation guide should be used for all design and construction purposes. Due to continuous product improvements, design and specifications subject to change without notice. The quality management systems at Alliance Laundry Systems' Ripon facility has been registered to ISO 9001:2008.

©2018 Alliance Laundry Systems LLC.

UniMac® by Alliance Laundry Systems