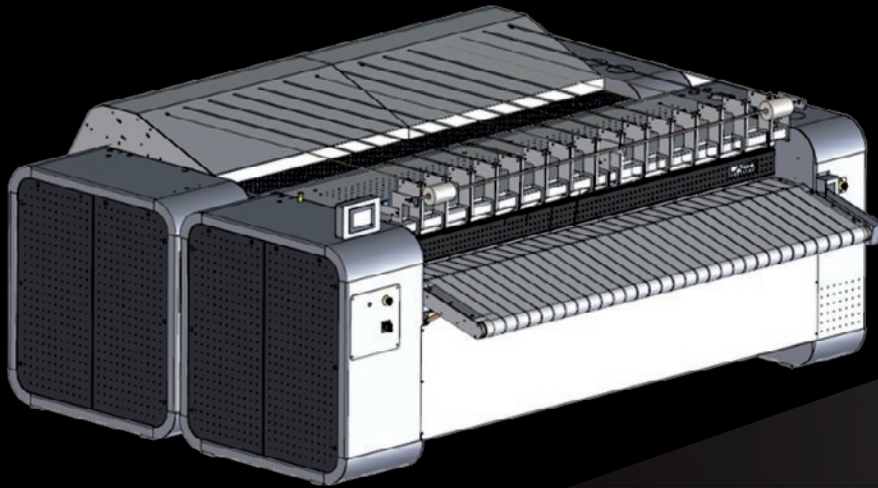




Maximum Performance



ACL80K

FEATURES AND BENEFITS

CHEST

- Single piece super flexible laser welding chest with 180-206° wrap up contact to rolls
- Self-adjusted chest applies pressure always equally over entire width and length of the rolls to make linen being ironed equal quality
- Heated by circulated thermal oil moving in the chest. It makes the temperature even along full chest width. No trouble of overheated spots.
- Self-contained thermal oil heating and circulation system offers accurate temperature control, easy installation and start up
- 80 cm long self-positioning heated bridge avoids linen cooling or rolling
- ACL80K has a unique higher ironing capacity of the second roll
 - One piece super flexible chests with 278°, 3/4 wrap up the roll for optimal ironing contact
 - The unique ventilation of the chest improves efficiency up to 25% capacity

ROLL

- Perforated steel roll with under springing and polyester felt 800 gr/m² padding
- Suction through the roll to ventilate moisture
- Fully enclosed planetary gearbox mounted directly onto the roll
- Variable speed by frequency inverter drive
- Ironing speed up to 20 m/min, optional to high speed to 36 m/min

CONTROL

- Standard 7,5" touch screen with 50 programs
- Speed regulation and modulating burner (for gas heating) included

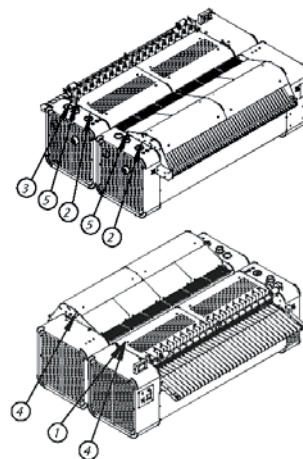
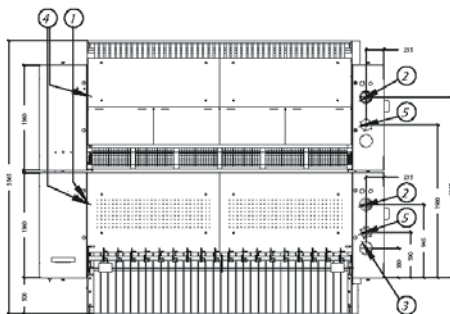
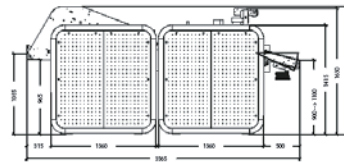
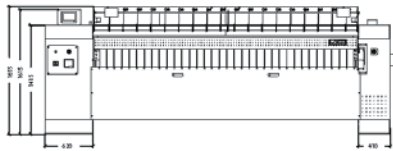
OPTIONS

- Perforated vacuum feeding bands for easy feeding linen
- Unique high ventilation chest for first roll
- Higher ironing speed
- Delivery table for direct picking linen from ironer
- Foot pedal
- M-Aramid padding

CHEST HEATED IRONERS - TWO ROLLS

TYPE		ACL80K-25	ACL80K-30	ACL80K-33	ACL80K-35
Roll diameter	mm	800	800	800	800
Working width	mm	2500	3000	3300	3500
Ironing speed (optional high speed)	m/min	5 - 20 (9 - 36)	5 - 20 (9 - 36)	5 - 20 (9 - 36)	5 - 20 (9 - 36)
Fan motor	kW	2 x 1,1	2 x 1,1	2 x 1,1	2 x 1,1
Roll motor	kW	5,5 / high speed roll 11	5,5 / high speed roll 11	5,5 / high speed roll 11	5,5 / high speed roll 11
Air outlet diameter	mm	2 x Ø 125	2 x Ø 125	2 x Ø 125	2 x Ø 125
Hydraulic pump motor	kW	0,37	0,37	0,37	0,37
Oil circulation pump	kW	2 x 3	2 x 3	2 x 3	2 x 3
Exhaust feeding belt	kW	1,1	1,1	1,1	1,1
Voltage		3x380-415V +TN-C 50Hz	3x380-415V +TN-C 50Hz	3x380-415V +TN-C 50Hz	3x380-415V +TN-C 50Hz
GAS HEATING					
Gas connection	inch	2 x ¼"	2 x ¼"	2 x ¼"	2 x ¼"
Gas burner	kW	378	378	378	378
Heat exchanger evacuation	mm	2 x Ø 125	2 x Ø 125	2 x Ø 125	2 x Ø 125
Ironing capacity @moisture retention 50% (with optional ventilation chest)	kg/hr	515 (555)	615 (660)	670 (720)	710 (760)
ELECTRIC HEATING					
Heating element	kW	165	200	210	240
Ironing capacity @moisture retention 50% (with optional ventilation chest)	kg/hr	515 (555)	615 (660)	670 (720)	710 (760)
DIMENSIONS					
Width	mm	3660	4160	4460	4660
Depth	mm	3110	3110	3110	3110
Height	mm	1900	1900	1900	1900
Net weight	kg	5700	6100	6350	6500
Gross weight	kg	5750	6150	6400	6550

PACKED DIMENSIONS (LxDxH) ROLL 1	PACKED DIMENSIONS (LxDxH) ROLL 2
3,8m x 1,9m x 1,8m	3,8m x 1,7m x 1,8m
4,3m x 1,9m x 1,8m	4,3m x 1,7m x 1,8m
4,6m x 1,9m x 1,8m	4,6m x 1,7m x 1,8m
4,8m x 1,9m x 1,8m	4,8m x 1,7m x 1,8m



1. Electrical connection
2. Vapour outlet
3. Suction by feedbands
4. Gas inlet
5. Gas outlet

TO LEARN MORE, OR TO FIND A DISTRIBUTOR IN YOUR AREA, VISIT UNIMAC.COM
ALLIANCE LAUNDRY SYSTEMS - SHEPARD ST, RIPON WI 54971 - +1 800 587 5458

Consult your UniMac® distributor for details. For the most accurate information, the installation guide should be used for all design and construction purposes. Due to continuous product improvements, design and specifications subject to change without notice. The quality management systems at Alliance Laundry Systems' Ripon facility has been registered to ISO 9001:2008.

©2018 Alliance Laundry Systems LLC.

UniMac® by Alliance Laundry Systems