

Chest Heated Ironers - One Roll

ACL500

Features and Benefits

Chest

- Single piece super flexible laser welding chest have 180-206° wrap up contact to rolls
- Self-adjusted chest applies pressure always equally over entire width and length of the roll. To make linen being ironed equal quality.
- Heated by circulated thermal oil moving in the chest. It makes the temperature even along full chest width. No trouble of overheated spots.
- Self-contained thermal oil heating and circulation system offers accurate temperature control, easy installation and start up
- Steam heated by steam injection directly into the chest

Delivery

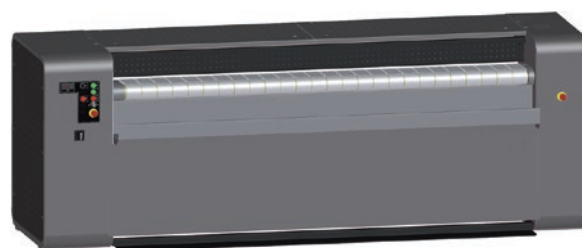
- Front return to save operation space and one person to operate
- Rear return to connect folder when necessary
- Front and rear return optional to be flexible to suit the laundry flow

Roll

- Perforated steel roll with under springing and polyester felt 800 gr/m² padding
- Suction through the roll to ventilate moisture
- Fully enclosed planetary gearbox mounted directly onto the roll
- Variable speed by frequency inverter drive

Control

- Simple readout control to set temperature and speed manually
- Optional PLC touch screen with 50 programs. Speed regulation and modulating bunner included.



Options

- Unique high ventilation chest for 25% higher output (not for steam heating)
- Higher ironing speed
- Longer feeding table
- Foot pedal
- M-Aramid padding

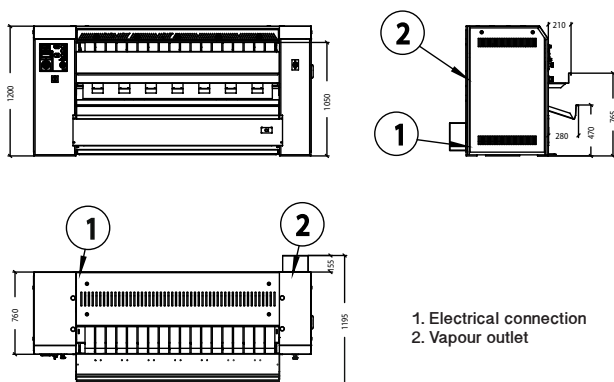
TYPE		ACL500-17	ACL500-20	ACL500-22	ACL500-25	ACL500-30	ACL500-33
Roll diameter	mm	500					
Working width	mm	1750	2000	2200	2500	3000	3300
Ironing speed	m/min	1,5-5,5					
High ironing speed	m/min	1,5-12					
Fan motor	kW	0,25					
Roll motor	kW	0,37					
Roll motor, high speed	kW	1,5					
Exhaust diameter	mm	Ø75					
Hydraulic pump motor	kW	0,37					
Oil circulation pump	kW	2,2					
Voltage		380-415V/50HZ/3PH+TN-C					
GAS HEATING							
Gas connection	inch	1/2"					
Gas pressure	mbar	20					
Gas consumption	kW	34	39	43	50	60	65
Heat exchanger evacuation	mm	Ø90					
Ironing capacity @moisture retention 50%	kg/hr	65	75	82	95	115	125
STEAM HEATING							
Steam pressure	bar	6-12					
Steam connection	inch	5/4"					
Condens connection	inch	3/4"					
Steam consumption @ 10bar	kg	50	57	63	72	88	95
Ironing capacity @ moisture retention 50%	kg/hr	58	67	74	85	103	112
ELECTRIC HEATING							
Heating element	kW	30	30	35	40	45	45
Ironing capacity @ moisture retention 50%	kg/hr	65	75	82	95	115	125
DIMENSIONS							
Width	mm	2600	2850	3050	3350	3850	4150
Depth (table open = pass-through model)	mm	1715					
Height	mm	1200					
Net weight	kg	1000	1200	1270	1350	1475	1600
SHIPPING DIMENSIONS							
Width	mm	2700	2950	3150	3450	3950	4250
Depth	mm	1195					
Height	mm	1300					
Gross weight	kg	1030	1230	1300	1380	1505	1630

UniMac preserves the right to change the machines and the specification in this leaflet at any time, without prior notice. Details and photographs are only for information and never binding.

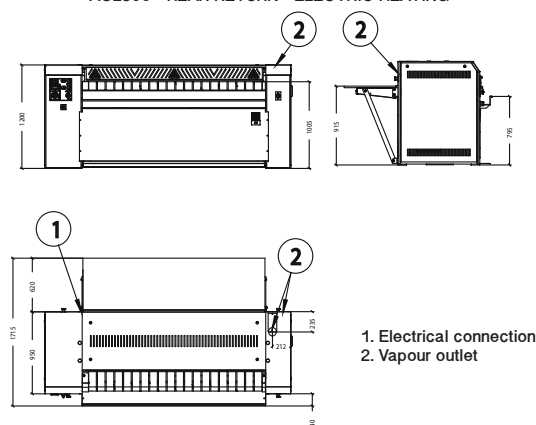
Chest Heated Ironers - One Roll

ACL500

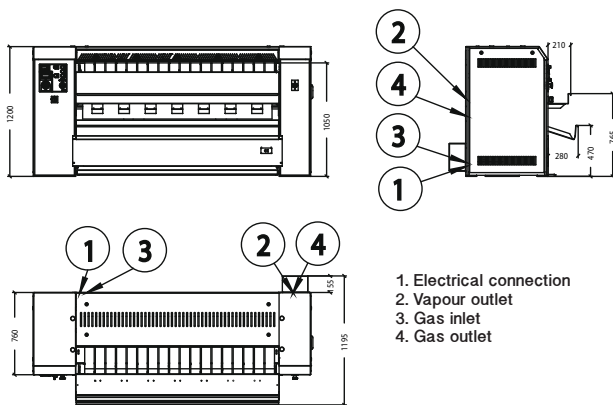
ACL500 - FRONT RETURN - ELECTRIC HEATING



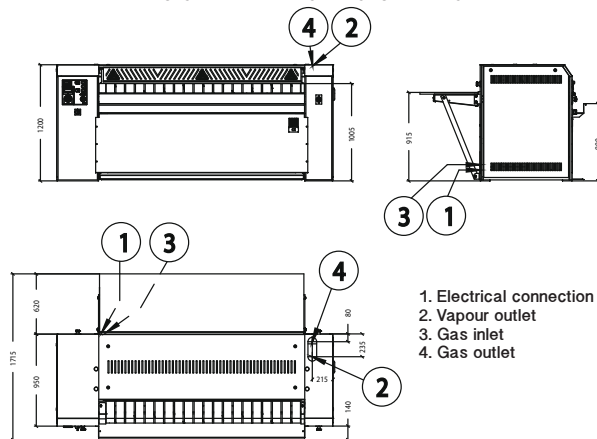
ACL500 - REAR RETURN - ELECTRIC HEATING



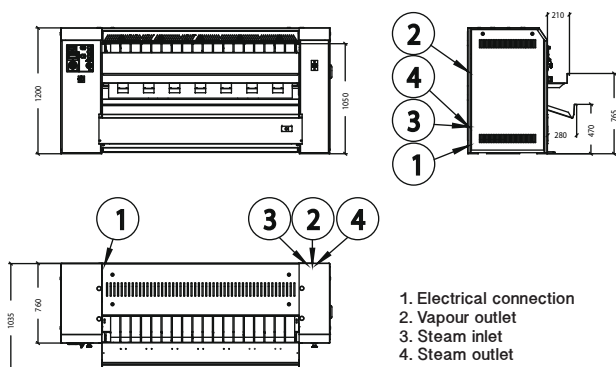
ACL500 - FRONT RETURN - GAS HEATING



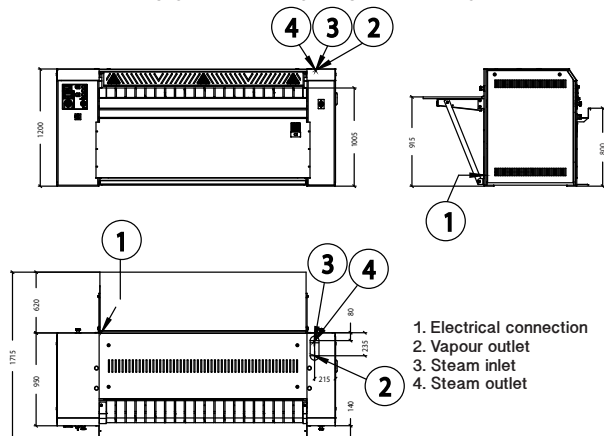
ACL500 - REAR RETURN - GAS HEATING



ACL500 - FRONT RETURN - STEAM HEATING



ACL500 - REAR RETURN - STEAM HEATING



UniMac preserves the right to change the machines and the specification in this leaflet at any time, without prior notice. Details and photographs are only for information and never binding.

www.unimaclaundry.com

PREFERRED BY ON-PREMISES LAUNDRIES WORLDWIDE